



Deluxe

Framed sliding shower door
5977-48

Features

- Framed, 1/8" (3 mm) thick tempered glass.
- Towel bar.
- Tempered glass ensures enhanced safety and durability.

Material

- Anodized aluminum prevents rust and corrosion.

Installation

- Out-of-plumb adjustability simplifies installation.
- Not for use in hospitality.
- For residential use only.

Recommended Products/Accessories

K-23723 Faucet cleaner

Included Components

Additional Components:

Hardware kit



Codes/Standards

ANSI Z97.1

CPSC 16CFR 1201

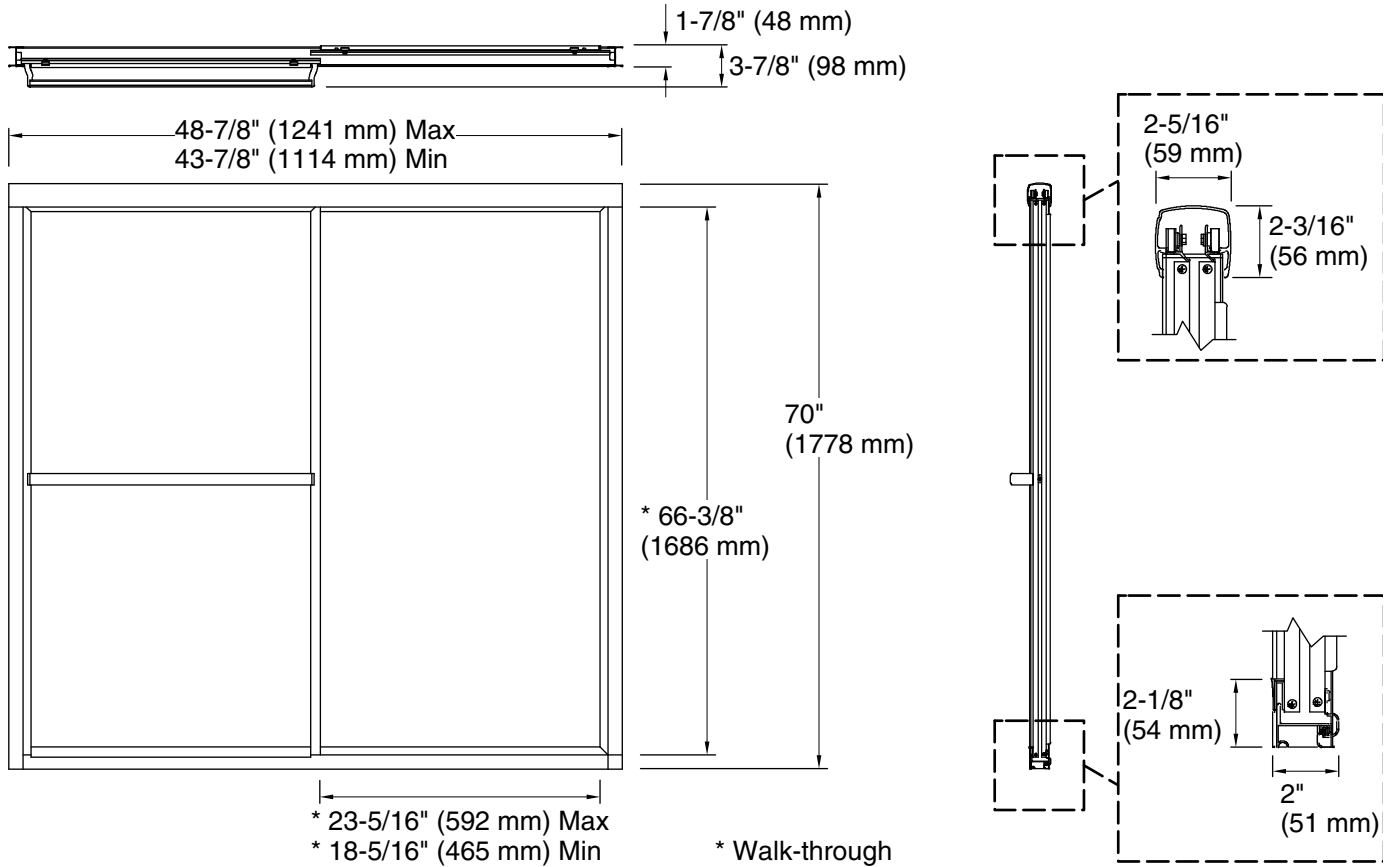
STERLING® Warranty - Bath and Shower Doors

See website for detailed warranty information.

Available Glass Options

Code	Description
------	-------------

	Ellipse
--	---------



Technical Information

- All product dimensions are nominal.
- Installation type: For shower base installation
- Opening Width - Min: 43-7/8" (1114 mm)
- Opening Width - Max: 48-7/8" (1241 mm)
- Walk-through - Min: 18-5/16" (465 mm)
- Walk-through - Max: 23-5/16" (592 mm)
- Base-To-Wall Radius - Max: 1/2" (13 mm)
- Glass thickness: 1/8" (3 mm)

Notes

- Install this product according to the installation guide.
- The vertical opening should be a minimum of 71-3/8" (1813 mm) to allow for installation clearance.